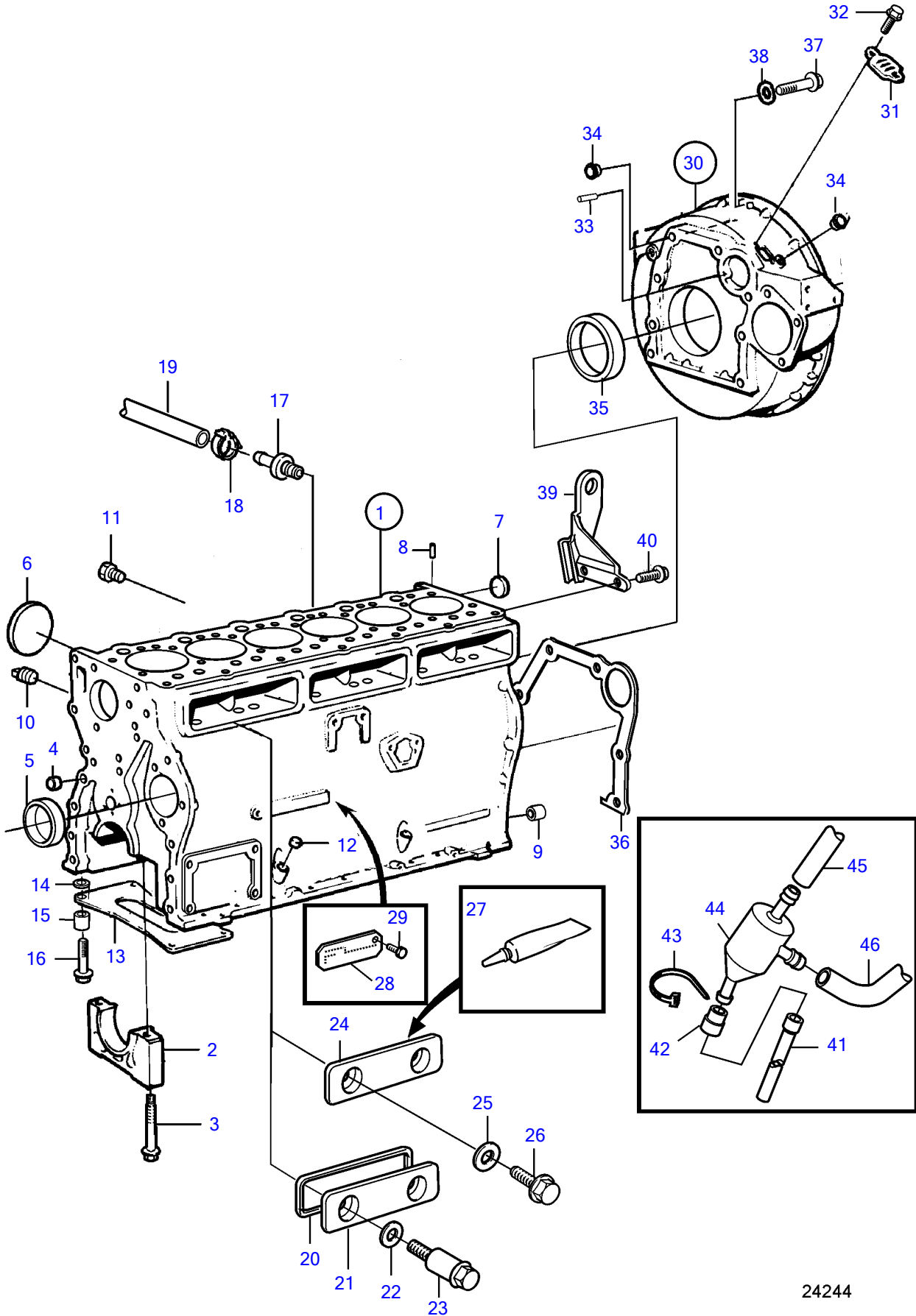


KAD43P-A, KAMD43P-A



24244

## KAD43P-A, KAMD43P-A

| REF | PART NO. | QTY | DESCRIPTION        | NOTES                 |
|-----|----------|-----|--------------------|-----------------------|
| 1   | 861690   | 1   | Cylinder block     | SN-2043008318         |
|     | 3583103  | 1   | Cylinder block     | SN2043008319-         |
| 2   |          | 7   | • Main bearing cap |                       |
| 3   | 861005   | 14  | • Screw            |                       |
| 4   | 955083   | 4   | • Cap plug         |                       |
| 5   | 1542067  | 7   | • Camshaft bushing |                       |
| 6   | 463905   | 5   | • Expansion plug   |                       |
| 7   | 968955   | 1   | • Expansion plug   |                       |
| 8   | 946402   | 2   | • Grooved pin      |                       |
| 9   | 415311   | 3   | • Guide sleeve     |                       |
| 10  | 479977   | 2   | Plug               |                       |
| 11  | 479979   | 5   | Plug               |                       |
| 12  | 955082   | 2   | Cap plug           |                       |
| 13  | 1545159  | 1   | Foot plate         |                       |
| 14  | 3850090  | 4   | Spacer             | (1545204)             |
| 15  | 1545160  | 4   | Spacer sleeve      |                       |
| 16  | 965187   | 4   | Flange screw       |                       |
| 17  | 860819   | 1   | Hose nipple        |                       |
| 18  | 943470   | 1   | Hose clamp         |                       |
| 19  | 952967   | 1   | Hose               | L=900mm               |
| 20  | 1542052  | 3   | Sealing            | Early type            |
| 21  | 1542050  | 3   | Inspection lid     | Early type            |
| 22  | 469846   | 6   | Sealing ring       | Early type            |
| 23  | 859447   | 6   | Shoulder screw     | Early type            |
| 24  | 877262   | 3   | Inspection lid     | Late type             |
| 25  | 18666    | 6   | • Gasket           | Late type             |
| 26  | 965185   | 6   | • Flange screw     | Late type             |
| 27  | 1161231  | X   | Sealant            | Late type, 310ml      |
|     | 1161277  | X   | Sealant            | Black, 20g, Late type |
| 28  |          | 1   | Sign               |                       |
| 29  |          | 4   | Drive screw        |                       |
| 30  | 3581825  | 1   | Flywheel housing   |                       |
| 31  | 407092   | 1   | Cover              |                       |
| 32  | 967949   | 2   | Flange screw       |                       |
| 33  | 404069   | 1   | Pin                |                       |
| 34  | 860926   | 2   | Plug               |                       |
| 35  | 3582851  | 1   | Sealing ring       | (860971)              |
| 36  | 829487   | 1   | Gasket             |                       |
| 37  | 965185   | 6   | Flange screw       | L=40mm                |
|     | 965220   | 2   | Flange screw       | L=45mm                |
| 38  | 941908   | 8   | Spring washer      |                       |
| 39  | 860419   | 1   | Lifting bracket    |                       |
| 40  | 946329   | 2   | Flange screw       |                       |